

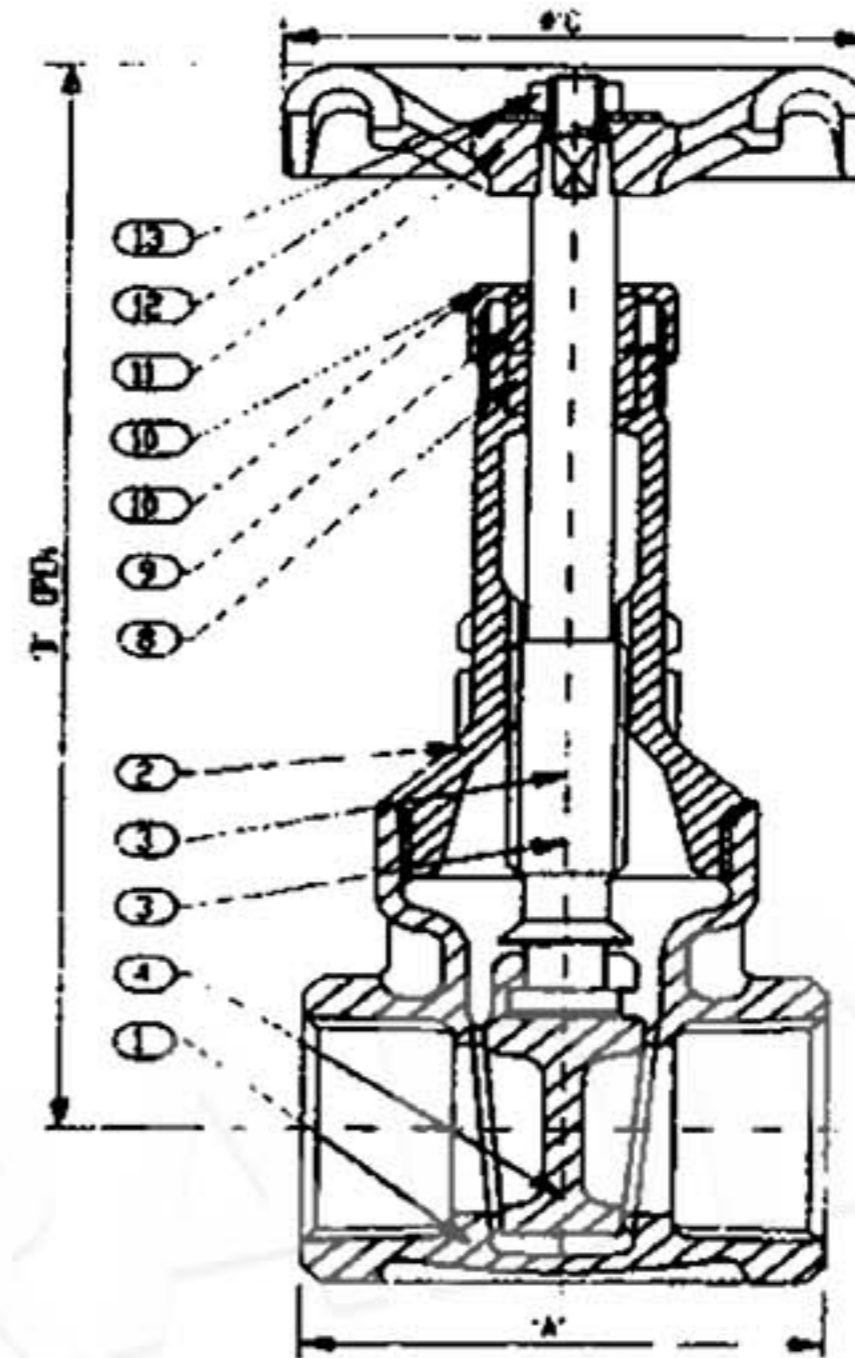
GATE VALVE



BRONZE GATE VALVE RISING STEM SCREWED ENDS

FEATURE AND APPLICATION

- ◆ These valve conform to the requirements of MSS SP-100
- ◆ Screw bonnet, Rising stem
- ◆ Solid wedge disc
- ◆ Applicable Medium : Water, Oil, Gas, Steam
- ◆ Screwed end BSPT Connection
- ◆ Hand-wheel operator
- ◆ Max. Working Pressure : 460 PSI (32 Bar)
- ◆ Max. Working Temperature : -10°C To 180°C
- ◆ Size Range : 1/2" - 2"



Bill of Materials

Seqyebece	Description	Material	Sizes
1	Body	Bronze	All
2	Bonnect	Bronze	All
3	Stem	Bronze	All
4	Disc	Bronze	All
5	Packing Ring	Asbestos Free	All
6	Gland	Brass	All
7	Packing Nut	Brass	All
8	Handwheel	Aluminium	All
9	Name Plate	Aluminium	All
10	Handwheel Nut	Brass	All

Dimensions

mm

DN	INCH	A	B	C
15	1/2	51	129	52
20	3/4	55	159	65
25	1"	63	189	70
32	1.1/4"	72.5	219	78
40	1.1/2"	73	246	92
50	2"	83	301	92